



Tempest® Deicer XR Boom Conversion Kit

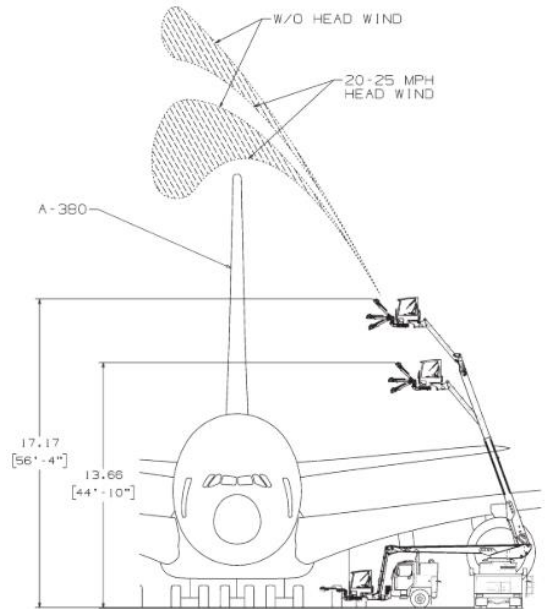
Adding an XR boom to your Tempest® Deicer will offer you the most efficient and cost-effective solution for deicing the A-380 and IL-76 aircraft. In addition, it can be used for aircraft washing, Deicing B777 with engines running and for use on the AN-124 Fuselage and Wings.

The modification is relatively easy not requiring any special chassis modifications or outriggers. The XR Boom Kit is designed to fit and work perfectly on the standard Tempest® chassis and still allows you to operate in the non-extended mode with the same characteristics you have always enjoyed. When extended to the height of 17.2 m (56 ft) the Tempest® can safely and effectively spray the tail section of the A-380 and IL-76 with a spray reach of 27 m (90 ft).

Designed with a 5:1 factor of safety that is validated with FEA and strain gauge testing, the Tempest® XR boom can be driven in creep mode with the boom fully extended adding flexibility and providing faster deicer operations. Operations and controls will remain identical to what you have now reducing extra training time.

The conversion kit works with both open and enclosed basket, Air First forced air, proportional mix and one person drive options. How it works: the new boom is

is welded to the assembly on the existing rotator, and then appropriate modifications will be made for the hydraulic, electrical, and fluid systems. This Kit is compatible on all Tempest® Deicers 2003 and newer.



“It gives you the ability to add further capabilities to your fleet without buying new equipment”



oshkshaerotech.com
An Oshkosh Corporation (NYSE:OSK) Business



© 2024. Oshkosh AeroTech and the Oshkosh logo are trademarks of Oshkosh Corporation. Oshkosh, Wisconsin, USA. Specifications, descriptions, and illustrative material in this literature are as accurate as known at the time of publication and are subject to change without notice. Illustrations may include optional equipment and accessories and may not include all standard equipment. All measurements are nominal values.